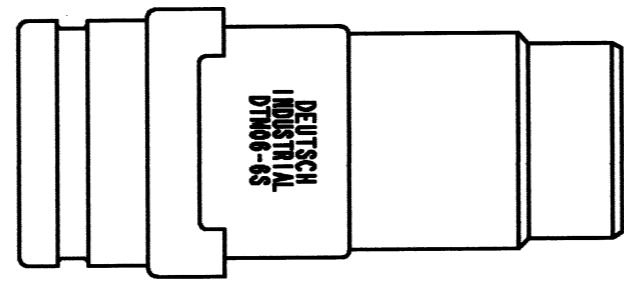
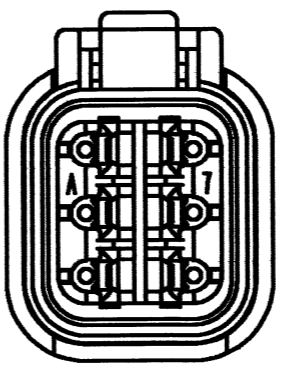
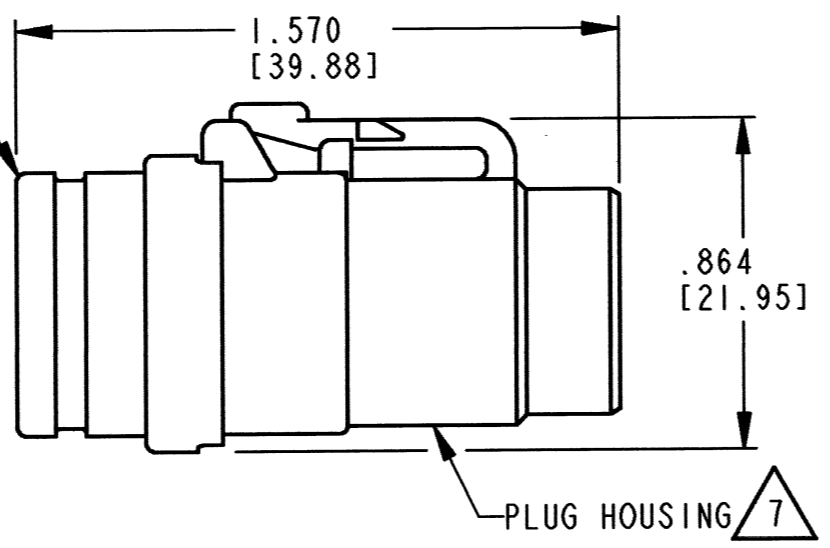
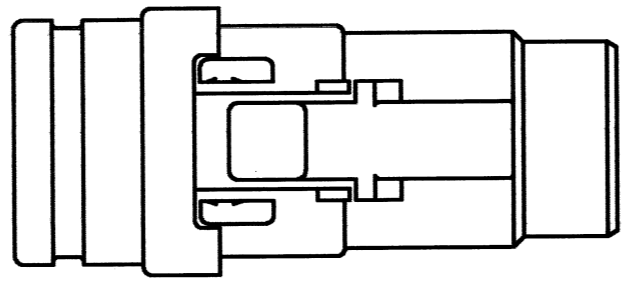
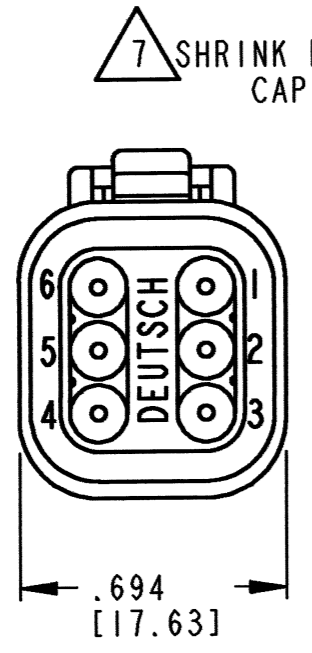
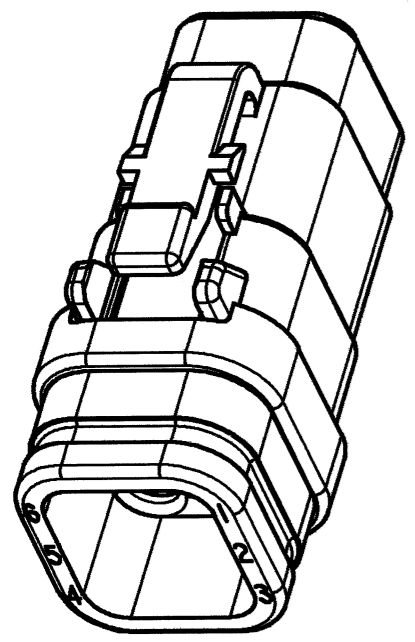


REV
A DTM06-6S-EE03

REVISIONS			
SYM	DESCRIPTION	DATE	APPROVED
NC	NEW RELEASE PER E.O. P18400	11/24/03	R.D.R.
A	REVISED PER E.O. P20536	8-31-10	ADR



7. PART MODIFICATION.

6. MATERIAL - HOUSING/EXTENDED CAP: PLASTIC; GROMMET: RUBBER.

5. THIS PLUG MATES WITH DTM04-6P-**** RECEPTACLE. (**** = ALL MODIFICATIONS)

4. FOR CONTACT AND WIRE PERFORMANCE AND APPLICATION CHARACTERISTICS SEE ENVELOPE DRAWING 0425-015-0000.

3. SECONDARY WEDGE LOCK SOLD SEPARATELY: WM-6S.

2. DIMENSION TOLERANCE: ±.025 [.64].

1. DIMENSIONS ARE IN INCHES [mm].


NOTES: UNLESS OTHERWISE SPECIFIED

CONTACT SIZE	MIN. INSUL. O.D.	MAX. INSUL. O.D.	WIRE RANGE [mm ²] REF ONLY
20	.053 [.35]	.120 [3.05]	16-20 AWG [1.0-0.5]

SIGNATURE & DATE	
DR	V. TOMSA NOV-7-03
CHK	R Miller 8/20/10
PE	R Milligan 8/10/10
APPD	S Brand 8-13-10
SCALE	NONE WT

PLUG W/SHRINK BOOT CAP
6 CONTACTS, SIZE 20
COLOR: BLACK
-EE03 MOD
DTM SERIES

ENVELOPE

EP	MATL. CODE
 3850 INDUSTRIAL AVE. HEMET, CA 92545	
B DTM06-6S-EE03	
DWG SIZE	CODE 11139 SHEET OF